



Is Now Part of



**ON Semiconductor®**

To learn more about ON Semiconductor, please visit our website at  
[www.onsemi.com](http://www.onsemi.com)

Please note: As part of the Fairchild Semiconductor integration, some of the Fairchild orderable part numbers will need to change in order to meet ON Semiconductor's system requirements. Since the ON Semiconductor product management systems do not have the ability to manage part nomenclature that utilizes an underscore (\_), the underscore (\_) in the Fairchild part numbers will be changed to a dash (-). This document may contain device numbers with an underscore (\_). Please check the ON Semiconductor website to verify the updated device numbers. The most current and up-to-date ordering information can be found at [www.onsemi.com](http://www.onsemi.com). Please email any questions regarding the system integration to [Fairchild\\_questions@onsemi.com](mailto:Fairchild_questions@onsemi.com).

ON Semiconductor and the ON Semiconductor logo are trademarks of Semiconductor Components Industries, LLC dba ON Semiconductor or its subsidiaries in the United States and/or other countries. ON Semiconductor owns the rights to a number of patents, trademarks, copyrights, trade secrets, and other intellectual property. A listing of ON Semiconductor's product/patent coverage may be accessed at [www.onsemi.com/site/pdf/Patent-Marking.pdf](http://www.onsemi.com/site/pdf/Patent-Marking.pdf). ON Semiconductor reserves the right to make changes without further notice to any products herein. ON Semiconductor makes no warranty, representation or guarantee regarding the suitability of its products for any particular purpose, nor does ON Semiconductor assume any liability arising out of the application or use of any product or circuit, and specifically disclaims any and all liability, including without limitation special, consequential or incidental damages. Buyer is responsible for its products and applications using ON Semiconductor products, including compliance with all laws, regulations and safety requirements or standards, regardless of any support or applications information provided by ON Semiconductor. "Typical" parameters which may be provided in ON Semiconductor data sheets and/or specifications can and do vary in different applications and actual performance may vary over time. All operating parameters, including "Typicals" must be validated for each customer application by customer's technical experts. ON Semiconductor does not convey any license under its patent rights nor the rights of others. ON Semiconductor products are not designed, intended, or authorized for use as a critical component in life support systems or any FDA Class 3 medical devices or medical devices with a same or similar classification in a foreign jurisdiction or any devices intended for implantation in the human body. Should Buyer purchase or use ON Semiconductor products for any such unintended or unauthorized application, Buyer shall indemnify and hold ON Semiconductor and its officers, employees, subsidiaries, affiliates, and distributors harmless against all claims, costs, damages, and expenses, and reasonable attorney fees arising out of, directly or indirectly, any claim of personal injury or death associated with such unintended or unauthorized use, even if such claim alleges that ON Semiconductor was negligent regarding the design or manufacture of the part. ON Semiconductor is an Equal Opportunity/Affirmative Action Employer. This literature is subject to all applicable copyright laws and is not for resale in any manner.

## NC7ST00 TinyLogic® HST 2-Input NAND Gate

### General Description

The NC7ST00 is a single 2-Input high performance CMOS NAND Gate, with TTL-compatible inputs. Advanced Silicon Gate CMOS fabrication assures high speed and low power circuit operation. ESD protection diodes inherently guard both inputs and output with respect to the  $V_{CC}$  and GND rails. High gain circuitry offers high noise immunity and reduced sensitivity to input edge rate. The TTL-compatible inputs facilitate TTL to NMOS/CMOS interfacing. Device performance is similar to MM74HCT but with 1/2 the output current drive of HC/HCT.

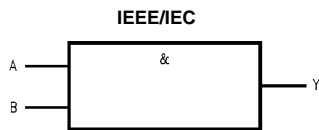
### Features

- Space saving SOT23 or SC70 5-lead package
- Ultra small MicroPak™ leadless package
- High Speed;  $t_{PD} < 7$  ns typ,  $V_{CC} = 5V$ ,  $C_L = 15$  pF
- Low Quiescent Power;  $I_{CC} < 1$   $\mu A$  typ,  $V_{CC} = 5.5V$
- Balanced Output Drive; 2 mA  $I_{OL}$ , -2 mA  $I_{OH}$
- TTL-compatible inputs

### Ordering Code:

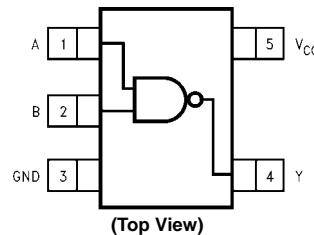
| Order Number | Package Number | Product Code Top Mark | Package Description                   | Supplied As               |
|--------------|----------------|-----------------------|---------------------------------------|---------------------------|
| NC7ST00M5X   | MA05B          | 8S00                  | 5-Lead SOT23, JEDEC MO-178, 1.6mm     | 3k Units on Tape and Reel |
| NC7ST00P5X   | MAA05A         | T00                   | 5-Lead SC70, EIAJ SC-88a, 1.25mm Wide | 3k Units on Tape and Reel |
| NC7ST00L6X   | MAC06A         | E3                    | 6-Lead MicroPak, 1.0mm Wide           | 5k Units on Tape and Reel |

### Logic Symbol

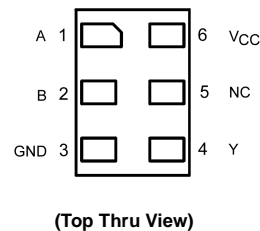


### Connection Diagrams

#### Pin Assignments for SOT23 and SC70



#### Pad Assignments for MicroPak



### Pin Descriptions

| Pin Names | Description |
|-----------|-------------|
| A, B      | Inputs      |
| Y         | Output      |
| NC        | No Connect  |

### Function Table

$Y = \overline{AB}$

| Inputs |   | Output |
|--------|---|--------|
| A      | B | Y      |
| L      | L | H      |
| L      | H | H      |
| H      | L | H      |
| H      | H | L      |

H = HIGH Logic Level  
L = LOW Logic Level

TinyLogic® is a registered trademark of Fairchild Semiconductor Corporation.  
MicroPak™ is a trademark of Fairchild Semiconductor Corporation.

**Absolute Maximum Ratings**(Note 1)

|  |                          |
|--|--------------------------|
| Supply Voltage ( $V_{CC}$ )  | -0.5V to +7.0V           |
| DC Input Diode Current ( $I_{IK}$ )                                    |                          |
| $V_{IN} < -0.5V$   | -20 mA                   |
| $V_{IN} \geq V_{CC} + 0.5V$  | +20 mA                   |
| DC Input Voltage $V_{IN}$  | -0.5V to $V_{CC} + 0.5V$ |
| DC Output Diode Current ( $I_{OK}$ )                                   |                          |
| $V_{OUT} < -0.5V$  | -20 mA                   |
| $V_{OUT} > V_{CC} + 0.5V$  | +20 mA                   |
| Output Voltage ( $V_{OUT}$ )   | -0.5V to $V_{CC} + 0.5V$ |
| DC Output Source or Sink Current ( $I_{OUT}$ )                         | $\pm 12.5$ mA            |
| DC $V_{CC}$ or Ground Current per Supply Pin ( $I_{CC}$ or $I_{GND}$ ) | $\pm 25$ mA              |
| Storage Temperature ( $T_{STG}$ )                                      | -65°C to +150°C          |
| Junction Temperature ( $T_J$ )   | 150°C                    |
| Lead Temperature ( $T_L$ ); (Soldering, 10 seconds)                    | 260°C                    |
| Power Dissipation ( $P_D$ ) @ +85°C                                    |                          |
| SOT23-5  | 200 mW                   |
| SC70-5   | 150 mW                   |

**Recommended Operating Conditions** (Note 2)

|   |                  |
|---|------------------|
| Supply Voltage                          | 4.5V to 5.5V     |
| Input Voltage ( $V_{IN}$ )              | 0.0V to $V_{CC}$ |
| Output Voltage ( $V_{OUT}$ )            | 0V to $V_{CC}$   |
| Operating Temperature ( $T_A$ )         | -40°C to +85°C   |
| Input Rise and Fall Time ( $t_r, t_f$ ) |                  |
| $V_{CC} = 5.0V$                         | 0 to 500 ns      |
| Thermal Resistance ( $\theta_{JA}$ )    |                  |
| SOT23-5                                 | 300°C/W          |
| SC70-5                                  | 425°C/W          |

**Note 1:** Absolute Maximum Ratings are those values beyond which damage to the device may occur. The databook specifications should be met, without exception, to ensure that the design is reliable over its power supply, temperature, and output/input loading variables Fairchild does not recommend operation of circuits outside the databook specifications.

**Note 2:** Unused inputs must be held HIGH or LOW. They may not float.

**DC Electrical Characteristics**

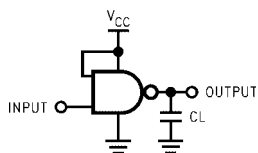
| Symbol    | Parameter                 | $V_{CC}$<br>(V) | $T_A = +25^\circ\text{C}$ |      |           | $T_A = -40^\circ\text{C to } +85^\circ\text{C}$ |           | Units         | Conditions  |
|-----------|---------------------------|-----------------|---------------------------|------|-----------|---|-----------|---------------|---|
|           |                           |                 | Min                       | Typ  | Max       | Min   | Max       |               |   |
| $V_{IH}$  | HIGH Level Input Voltage  | 4.5-5.5         | 2.0                       |      |           | 2.0   |           | V             |   |
| $V_{IL}$  | LOW Level Input Voltage   | 4.5-5.5         |                           |      | 0.8       |   | 0.8       | V             |   |
| $V_{OH}$  | HIGH Level Output Voltage | 4.5             | 4.4                       | 4.5  |           | 4.4   |           | V             | $I_{OH} = -20 \mu\text{A}$<br>$I_{OH} = -2 \text{ mA}$<br>$V_{IN} = V_{IL}$ |
|           |                           | 4.5             | 4.18                      | 4.35 |           | 4.13  |           |               |   |
| $V_{OL}$  | LOW Level Output Voltage  | 4.5             |                           | 0    | 0.1       |   | 0.1       | V             | $I_{OL} = 20 \mu\text{A}$<br>$I_{OL} = 2 \text{ mA}$<br>$V_{IN} = V_{IH}$   |
|           |                           | 4.5             |                           | 0.10 | 0.26      |   | 0.33      |               |   |
| $I_{IN}$  | Input Leakage Current     | 5.5             |                           |      | $\pm 0.1$ |   | $\pm 1.0$ | $\mu\text{A}$ | $0 \leq V_{IN} \leq 5.5V$   |
| $I_{CC}$  | Quiescent Supply Current  | 5.5             |                           |      | 1.0       |   | 10.0      | $\mu\text{A}$ | $V_{IN} = V_{CC}$ or GND  |
| $I_{CCT}$ | $I_{CC}$ per Input        | 5.5             |                           |      | 2.0       |   | 2.9       | mA            | One Input $V_{IN} = 0.5V$ or 2.4V,<br>Other Input $V_{CC}$ or GND           |

## AC Electrical Characteristics

| Symbol                               | Parameter                     | V <sub>CC</sub><br>(V) | T <sub>A</sub> = +25°C |      |      | T <sub>A</sub> = -40°C to +85°C |     | Units                  | Conditions             | Figure Number          |
|--------------------------------------|-------------------------------|------------------------|------------------------|------|------|---------------------------------|-----|------------------------|------------------------|------------------------|
|                                      |                               |                        | Min                    | Typ  | Max  | Min                             | Max |                        |                        |                        |
| t <sub>PLH</sub><br>t <sub>PHL</sub> | Propagation Delay             | 5.0                    |                        | 3.4  | 12   |                                 |     | ns                     | C <sub>L</sub> = 15 pF | Figures 1, 3           |
|                                      |                               |                        |                        | 6.3  | 17   |                                 |     |                        |                        |                        |
|                                      |                               | 4.5                    |                        | 6.0  | 16   |                                 | 20  |                        |                        |                        |
|                                      |                               |                        |                        | 11.5 | 27   |                                 | 31  |                        |                        |                        |
|                                      |                               |                        | 5.5                    |      | 4.1  | 14                              |     |                        | 18                     |                        |
|                                      |                               |                        |                        |      | 11.2 | 26                              |     |                        | 30                     |                        |
| t <sub>TLH</sub><br>t <sub>THL</sub> | Output Transition Time        | 5.0                    |                        | 4    | 10   |                                 | ns  | C <sub>L</sub> = 15 pF | Figures 1, 3           |                        |
|                                      |                               | 4.5                    |                        | 11   | 25   |                                 | 31  | ns                     |                        | C <sub>L</sub> = 50 pF |
|                                      |                               | 5.5                    |                        | 10   | 21   |                                 | 26  |                        |                        |                        |
| C <sub>IN</sub>                      | Input Capacitance             | Open                   |                        | 2    | 10   |                                 |     | pF                     |                        |                        |
| C <sub>PD</sub>                      | Power Dissipation Capacitance | 5.0                    |                        | 6    |      |                                 |     | pF                     | (Note 3)               | Figure 2               |

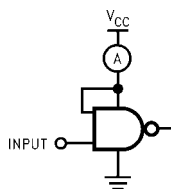
**Note 3:** C<sub>PD</sub> is defined as the value of the internal equivalent capacitance which is derived from dynamic operating current. Current consumption (I<sub>CCD</sub>) at no output loading and operating at 50% duty cycle. (See Figure 2). CPD is related to I<sub>CCD</sub> dynamic operating current by the expression:  
 $I_{CCD} = (C_{PD})(V_{CC})(f_{IN}) + (I_{CCStatic})$

## AC Loading and Waveforms



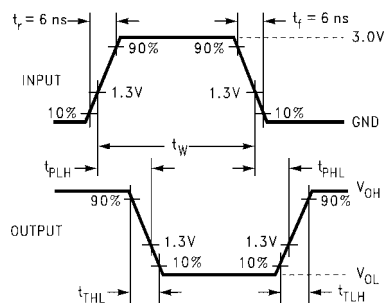
C<sub>L</sub> includes load and stray capacitance  
 Input PRR = 1.0 MHz; t<sub>w</sub> = 500 ns

**FIGURE 1. AC Test Circuit**



Input = AC Waveform; PRR = variable; Duty Cycle = 50%

**FIGURE 2. I<sub>CCD</sub> Test Circuit**



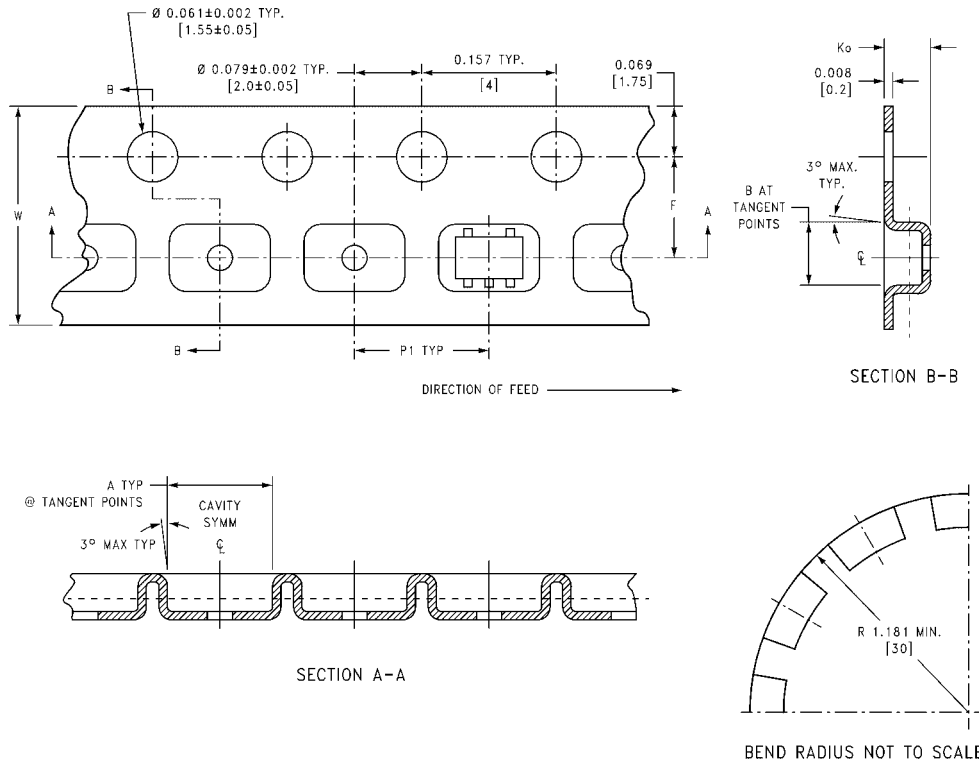
**FIGURE 3. AC Waveforms**

## Tape and Reel Specification

### TAPE FORMAT

| Package Designator | Tape Section       | Number Cavities | Cavity Status | Cover Tape Status |
|--------------------|--------------------|-----------------|---------------|-------------------|
| M5X, P5X           | Leader (Start End) | 125 (typ)       | Empty         | Sealed            |
|                    | Carrier            | 3000            | Filled        | Sealed            |
|                    | Trailer (Hub End)  | 75 (typ)        | Empty         | Sealed            |

### TAPE DIMENSIONS inches (millimeters)

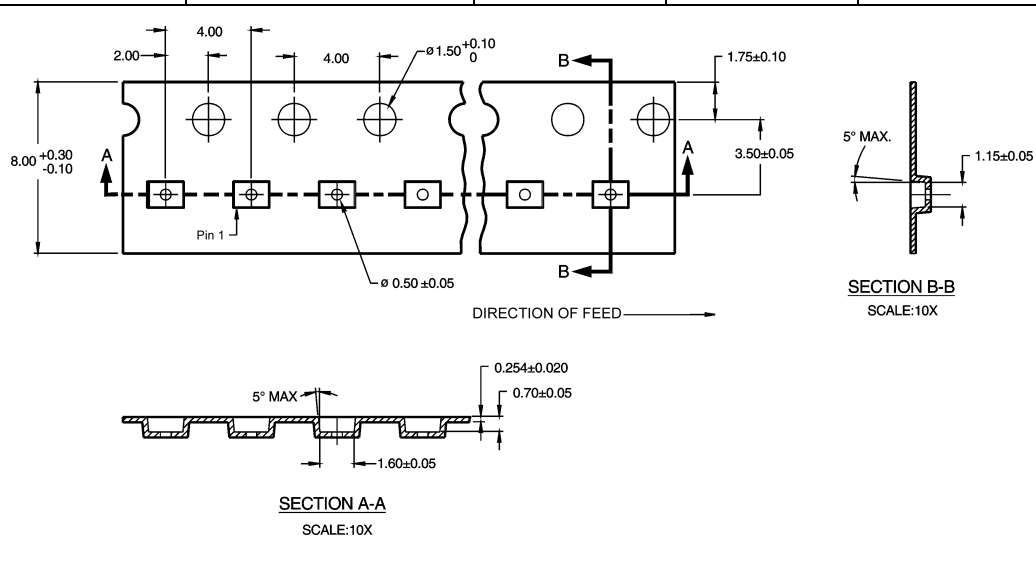


| Package | Tape Size | DIM A           | DIM B           | DIM F                         | DIM K <sub>0</sub>             | DIM P1       | DIM W                      |
|---------|-----------|-----------------|-----------------|-------------------------------|--------------------------------|--------------|----------------------------|
| SC70-5  | 8 mm      | 0.093<br>(2.35) | 0.096<br>(2.45) | 0.138 ± 0.004<br>(3.5 ± 0.10) | 0.053 ± 0.004<br>(1.35 ± 0.10) | 0.157<br>(4) | 0.315 ± 0.004<br>(8 ± 0.1) |
| SOT23-5 | 8 mm      | 0.130<br>(3.3)  | 0.130<br>(3.3)  | 0.138 ± 0.002<br>(3.5 ± 0.05) | 0.055 ± 0.004<br>(1.4 ± 0.11)  | 0.157<br>(4) | 0.315 ± 0.012<br>(8 ± 0.3) |

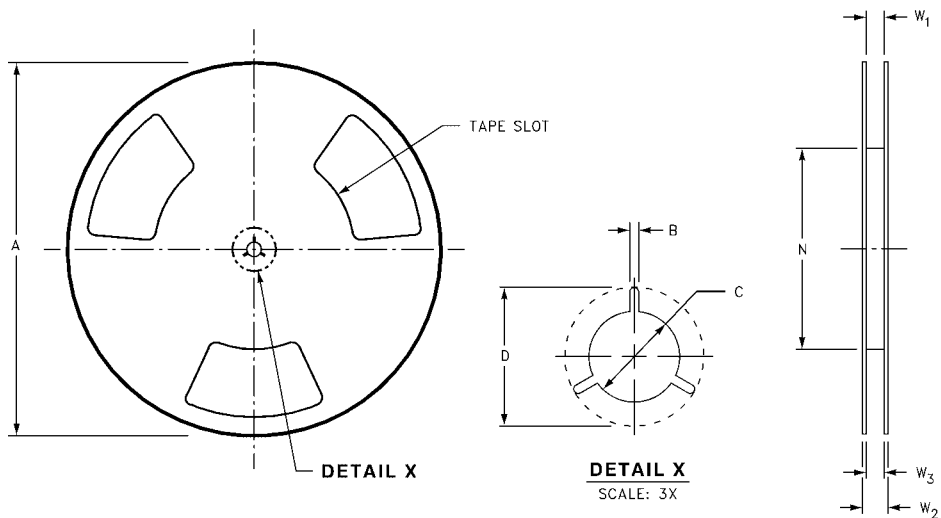
**Tape and Reel Specification** (Continued)

**TAPE FORMAT for MicroPak**

| Package Designator | Tape Section       | Number Cavities | Cavity Status | Cover Tape Status |
|--------------------|--------------------|-----------------|---------------|-------------------|
| L6X                | Leader (Start End) | 125 (typ)       | Empty         | Sealed            |
|                    | Carrier            | 5000            | Filled        | Sealed            |
|                    | Trailer (Hub End)  | 75 (typ)        | Empty         | Sealed            |



**REEL DIMENSIONS** inches (millimeters)

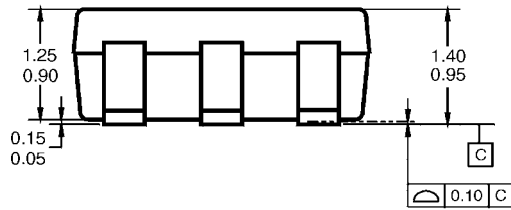


| Tape Size | A              | B               | C                | D                | N                | W1  | W2               | W3                                     |
|-----------|----------------|-----------------|------------------|------------------|------------------|---|------------------|--|
| 8 mm      | 7.0<br>(177.8) | 0.059<br>(1.50) | 0.512<br>(13.00) | 0.795<br>(20.20) | 2.165<br>(55.00) | 0.331 + 0.059/-0.000<br>(8.40 + 1.50/-0.00) | 0.567<br>(14.40) | W1 + 0.078/-0.039<br>(W1 + 2.00/-1.00) |

**Physical Dimensions** inches (millimeters) unless otherwise noted



LAND PATTERN RECOMMENDATION



DETAIL A

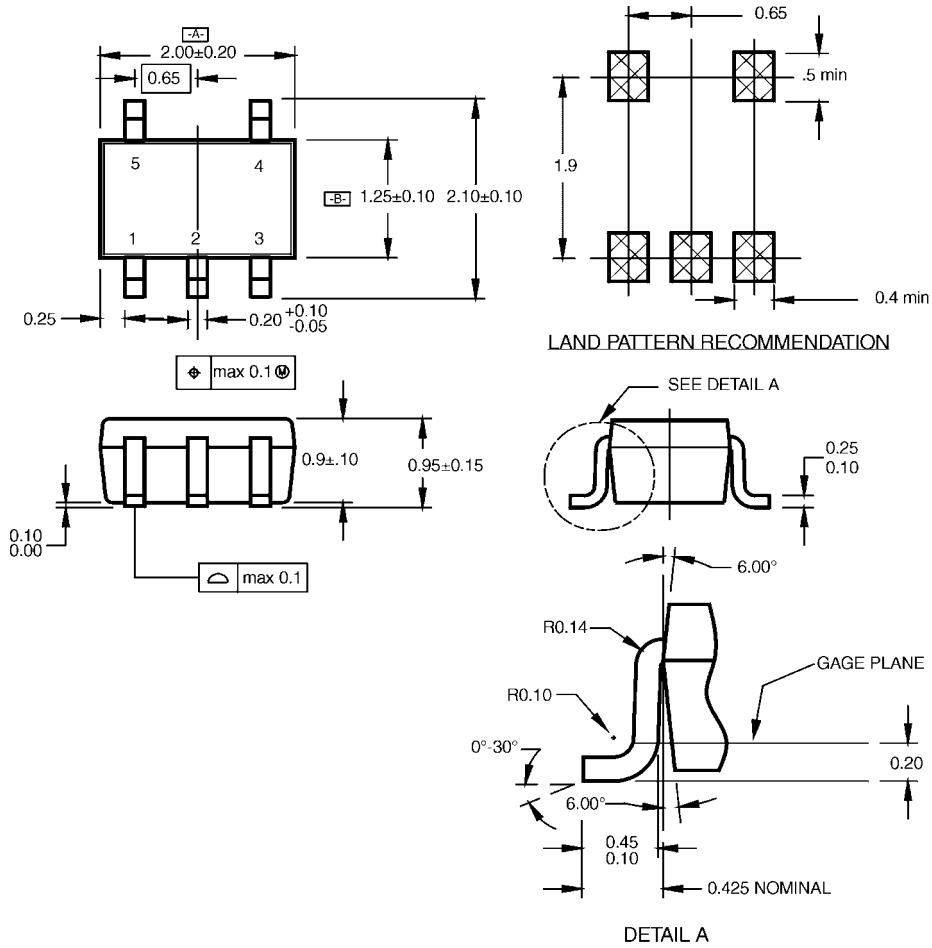
NOTES: UNLESS OTHERWISE SPECIFIED

- A) THIS PACKAGE CONFORMS TO JEDEC MO-178, ISSUE B, VARIATION AA, DATED JANUARY 1999.
- B) ALL DIMENSIONS ARE IN MILLIMETERS.

MA05BRevC

5-Lead SOT23, JEDEC MO-178, 1.6mm  
Package Number MA05B

**Physical Dimensions** inches (millimeters) unless otherwise noted (Continued)



NOTES:

- A. CONFORMS TO EIAJ REGISTERED OUTLINE DRAWING SC88A.
- B. DIMENSIONS DO NOT INCLUDE BURRS OR MOLD FLASH.
- C. DIMENSIONS ARE IN MILLIMETERS.

MAA05ARevC

**5-Lead SC70, EIAJ SC-88a, 1.25mm Wide  
Package Number MAA05A**



**Physical Dimensions** inches (millimeters) unless otherwise noted (Continued)



**Notes:**

1. JEDEC PACKAGE REGISTRATION IS ANTICIPATED
2. DIMENSIONS ARE IN MILLIMETERS
3. DRAWING CONFORMS TO ASME Y14.5M-1994

MAC06ARevB

**6-Lead MicroPak, 1.0mm Wide  
Package Number MAC06A**

Fairchild does not assume any responsibility for use of any circuitry described, no circuit patent licenses are implied and Fairchild reserves the right at any time without notice to change said circuitry and specifications.

**LIFE SUPPORT POLICY**

FAIRCHILD'S PRODUCTS ARE NOT AUTHORIZED FOR USE AS CRITICAL COMPONENTS IN LIFE SUPPORT DEVICES OR SYSTEMS WITHOUT THE EXPRESS WRITTEN APPROVAL OF THE PRESIDENT OF FAIRCHILD SEMICONDUCTOR CORPORATION. As used herein:

1. Life support devices or systems are devices or systems which, (a) are intended for surgical implant into the body, or (b) support or sustain life, and (c) whose failure to perform when properly used in accordance with instructions for use provided in the labeling, can be reasonably expected to result in a significant injury to the user.
2. A critical component in any component of a life support device or system whose failure to perform can be reasonably expected to cause the failure of the life support device or system, or to affect its safety or effectiveness.

[www.fairchildsemi.com](http://www.fairchildsemi.com)

ON Semiconductor and  are trademarks of Semiconductor Components Industries, LLC dba ON Semiconductor or its subsidiaries in the United States and/or other countries. ON Semiconductor owns the rights to a number of patents, trademarks, copyrights, trade secrets, and other intellectual property. A listing of ON Semiconductor's product/patent coverage may be accessed at [www.onsemi.com/site/pdf/Patent-Marking.pdf](http://www.onsemi.com/site/pdf/Patent-Marking.pdf). ON Semiconductor reserves the right to make changes without further notice to any products herein. ON Semiconductor makes no warranty, representation or guarantee regarding the suitability of its products for any particular purpose, nor does ON Semiconductor assume any liability arising out of the application or use of any product or circuit, and specifically disclaims any and all liability, including without limitation special, consequential or incidental damages. Buyer is responsible for its products and applications using ON Semiconductor products, including compliance with all laws, regulations and safety requirements or standards, regardless of any support or applications information provided by ON Semiconductor. "Typical" parameters which may be provided in ON Semiconductor data sheets and/or specifications can and do vary in different applications and actual performance may vary over time. All operating parameters, including "Typicals" must be validated for each customer application by customer's technical experts. ON Semiconductor does not convey any license under its patent rights nor the rights of others. ON Semiconductor products are not designed, intended, or authorized for use as a critical component in life support systems or any FDA Class 3 medical devices or medical devices with a same or similar classification in a foreign jurisdiction or any devices intended for implantation in the human body. Should Buyer purchase or use ON Semiconductor products for any such unintended or unauthorized application, Buyer shall indemnify and hold ON Semiconductor and its officers, employees, subsidiaries, affiliates, and distributors harmless against all claims, costs, damages, and expenses, and reasonable attorney fees arising out of, directly or indirectly, any claim of personal injury or death associated with such unintended or unauthorized use, even if such claim alleges that ON Semiconductor was negligent regarding the design or manufacture of the part. ON Semiconductor is an Equal Opportunity/Affirmative Action Employer. This literature is subject to all applicable copyright laws and is not for resale in any manner.

## PUBLICATION ORDERING INFORMATION

### LITERATURE FULFILLMENT:

Literature Distribution Center for ON Semiconductor  
19521 E. 32nd Pkwy, Aurora, Colorado 80011 USA  
**Phone:** 303-675-2175 or 800-344-3860 Toll Free USA/Canada  
**Fax:** 303-675-2176 or 800-344-3867 Toll Free USA/Canada  
**Email:** [orderlit@onsemi.com](mailto:orderlit@onsemi.com)

**N. American Technical Support:** 800-282-9855 Toll Free  
USA/Canada  
**Europe, Middle East and Africa Technical Support:**  
Phone: 421 33 790 2910  
**Japan Customer Focus Center**  
Phone: 81-3-5817-1050

**ON Semiconductor Website:** [www.onsemi.com](http://www.onsemi.com)  
**Order Literature:** <http://www.onsemi.com/orderlit>  
For additional information, please contact your local  
Sales Representative